

MecALAC

BACKHOE LOADERS
SIDESHIFT SERIES-STAGE V



BACKHOE LOADERS
SIDESHIFT SERIES-STAGE V

MecALAC



PERFORMANCE



SPEED



AGILITY



TLB870

TLB880

TLB890

TLB990



TLB SERIES

**MECALAC STAGE V -
SIDESHIFT SERIES**



TLB SERIES

Switch to

**PERFORMANCE
SPEED
AGILITY**

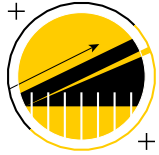




WATCH THE VIDEO

If you don't have a scanning app, you can download a QR code scanner from the App Store or Google Play.





PERFORMANCE

Switch to
PERFORMANCE

REACH FURTHER

EXCAVATOR: IMPRESSIVE DIGGING PERFORMANCES



Up to 7 m (22'11") Excavator reach: simply the best over the market

With an impressive excavator reach of up to 7 m (22'11"), you can always excavate further than any other backhoe loaders on the market. With fewer machine repositioning required, Mecalac backhoe loaders help you to be more productive on your job sites.



Extendable dipper : reach up to 33% further

Each machine within the Mecalac Backhoe loader range can be fitted with an optional extendable dipper. Providing up to 1.3 m (4'3") additional reach the extendable dipper increases the working area of the machine by up to 33%.



*Specifications may vary depending models

LIFT HIGHER

HIGHER AND HEAVIER



At the forefront of loading

With a class leading loader lift height of up to 3.6 m (12') and the specific kinematics to optimize visibility, the powerful front loader on the Mecalac range of backhoe loaders helps you to be productive for all the loading operations of your job sites as well as for loading high-sided trucks.

3.6 M
(12')
LOADER
LIFT HEIGHT





SPEED

Switch to SPEED

FASTER AND SAFER ON THE ROAD

ACTIVE DRIVE : SUPERIOR TRANSMISSION RESPONSIVENESS AND EFFICIENCY

Key to the Backhoe loaders success is the ability to travel between worksites with ease. The unique Mecalac Active Drive* technology enables a considerable reduction in travel time and improved roading capabilities, particularly on sloping roads. Automatically activated at high speed the Active Drive system bypasses the torque converter to allow a direct connection between the engine and the transmission in order to provide the full power and torque of the engine to the wheels, ensuring the best traction at high speed.

*Available as standard on TLB990 and as an option on TLB890 with Servo Power Synchro (Powershift) transmission






40 KM/H
25 MPH



AGILITY

Switch to **AGILITY**

EXCEPTIONAL MANOEUVRABILITY, TIGHTEST TURNING RADIUS

Each jobsite is different, however the Mecalac range of backhoe loaders offer advantages for all.

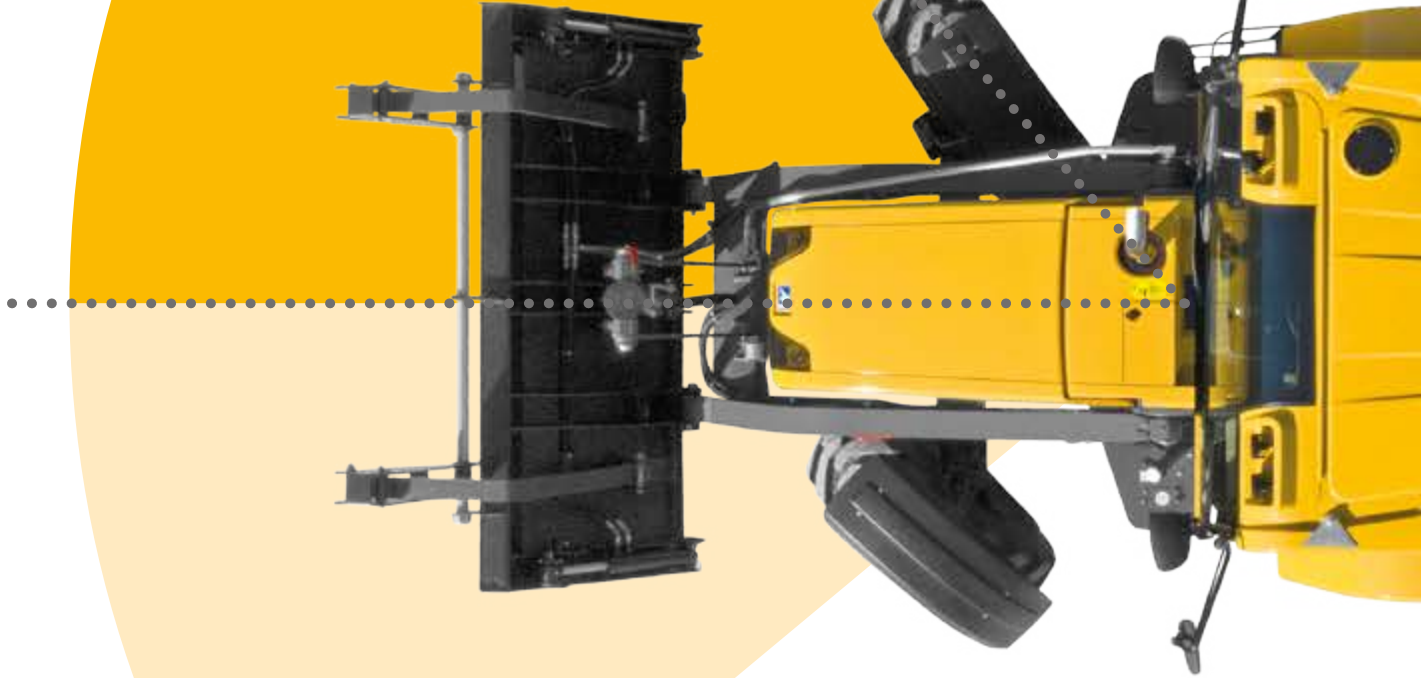
When working in confined spaces or urban jobsites, the tight turning radius of the Mecalac Backhoe Loaders allows to keep working in conditions where other backhoes cannot. How is this possible? Simply thanks to hydrostatic steering, which features a double acting steering cylinder that reduces steering effort for the operator, while offering a steering angle of up to 50 degrees. This results in the impressive turning radius and agility of the Mecalac backhoe loaders.

*Exclusively on TLB990





50°
STEERING
ANGLE*



*TLB870-880-890



TLB SERIES

USER FRIENDLY

Mecalac operator environment

- COMFORT AND CONVENIENCE - Practical and productive operator environment
- VISIBILITY - Anywhere, at anytime
- SAFETY - Optimized safety of the operator and machine
- SERVICEABILITY - Service from ground level with ease and minimal effort



WATCH THE VIDEO

If you don't have a scanning app, you can download a QR code scanner from the App Store or Google Play.







COMFORT AND CONVENIENCE

WELCOME ONBOARD

PRACTICAL AND PRODUCTIVE

An operator that sits in a relaxed and comfortable environment is a productive operator. That is why the Mecalac backhoe loader cab offers outstanding ergonomics, a high standard of operator comfort, plus a wealth of practical features and functions.

Once seated, the operator immediately benefits from an increased floor space, designed to provide easy and quick-seated turns. The clever and intuitive layout of all instruments and controls ensure practical and productive work conditions.

NEW MULTI FUNCTION DISPLAY: SET YOUR MACHINE PREFERENCES

The intuitive digital side display interfaces with a sophisticated control system to allow the activation and setting of a wide range of machine features. Whether you want to change machine settings (Auto idle, quick attach timer, ISO or SAE excavator

control pattern, hydraulic control sensitivity...) or operator displays (Time and date, brightness, units, language...) you have the control to make your working day more enjoyable and productive.

AS QUIET AS 78DBA

Mecalac backhoe loader cabs offer a quiet operator environment thanks to a low internal noise level as low as 78dBa.





OPERATOR COMFORT

PERSONALIZED COMFORT

At Mecalac we want to make sure that every operator can adjust their machine to feel comfortable at work. Working in a Mecalac backhoe loader cab is also enjoying a variety of adjustable equipment like the telescopic steering wheel with fully adjustable tilt height setting and the adjustable premium operator seat available with mechanical or air suspension with heating.

The simple yet functional front console features durable and easy to operate rocker switches. Whatever the type of transmission selected, the fingertip direction control provides smooth and quick forward or reverse direction changes to ensure best productivity and comfort when using the loader.





OPERATOR COMFORT

THERMAL COMFORT

VENTILATION AND VISIBILITY

Every Mecalac backhoe loader cab features large windows, which are easy to open and close from within the cab. When excavating, the rear quarter windows and the full depth rear window ensure improved ventilation and visibility for every operation.

As standard, all cabs feature a large lockable storage box to keep your food and drink fresh whatever the outdoor temperature. To ensure the best level of comfort, the high performance heating ventilation and air conditioning system featuring 14 nozzles is available as an option on all models.





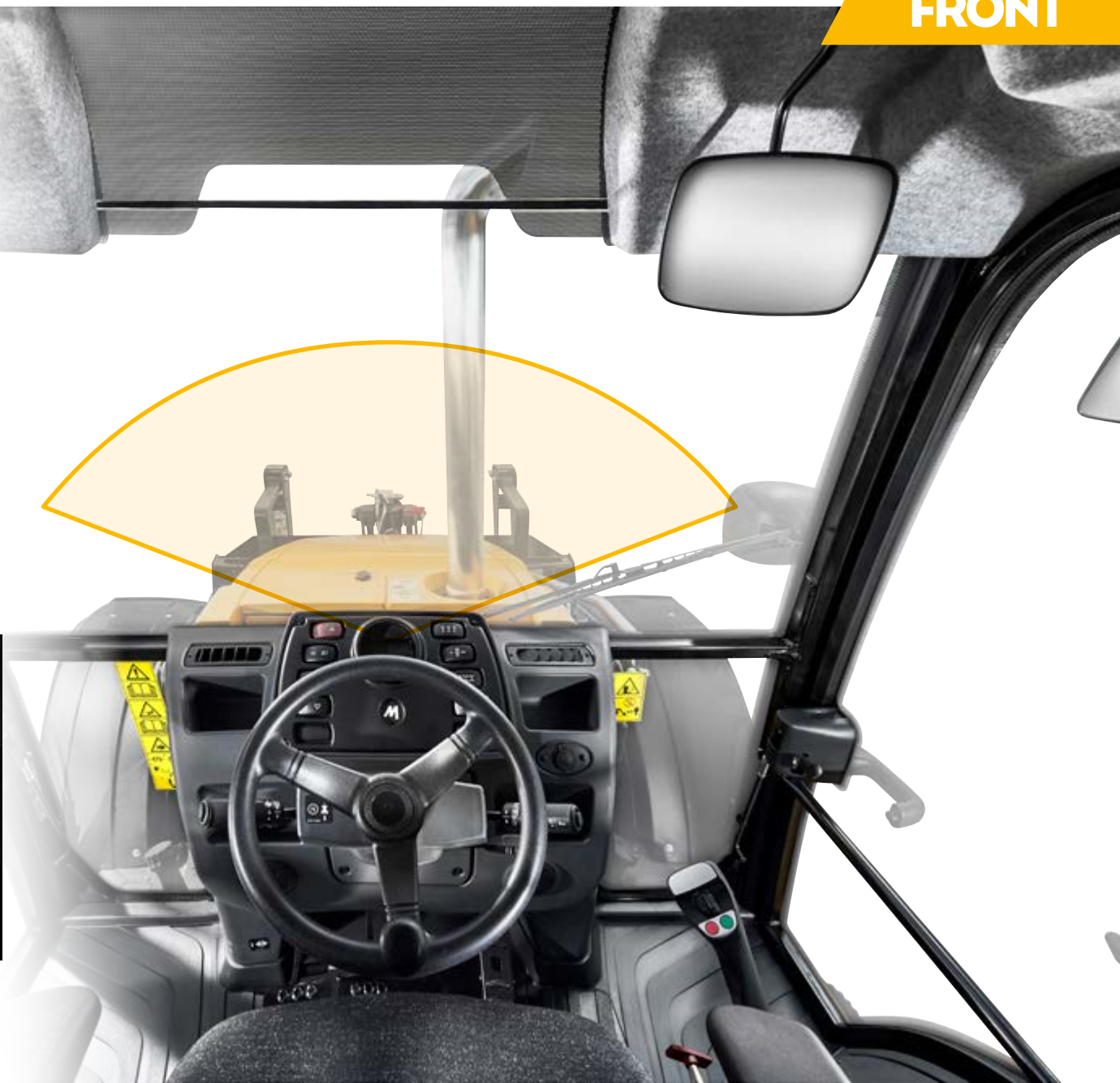
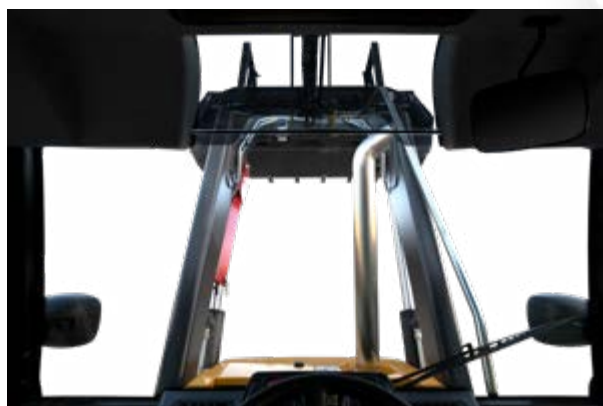
VISIBILITY

YOUR OFFICE WITH A VIEW

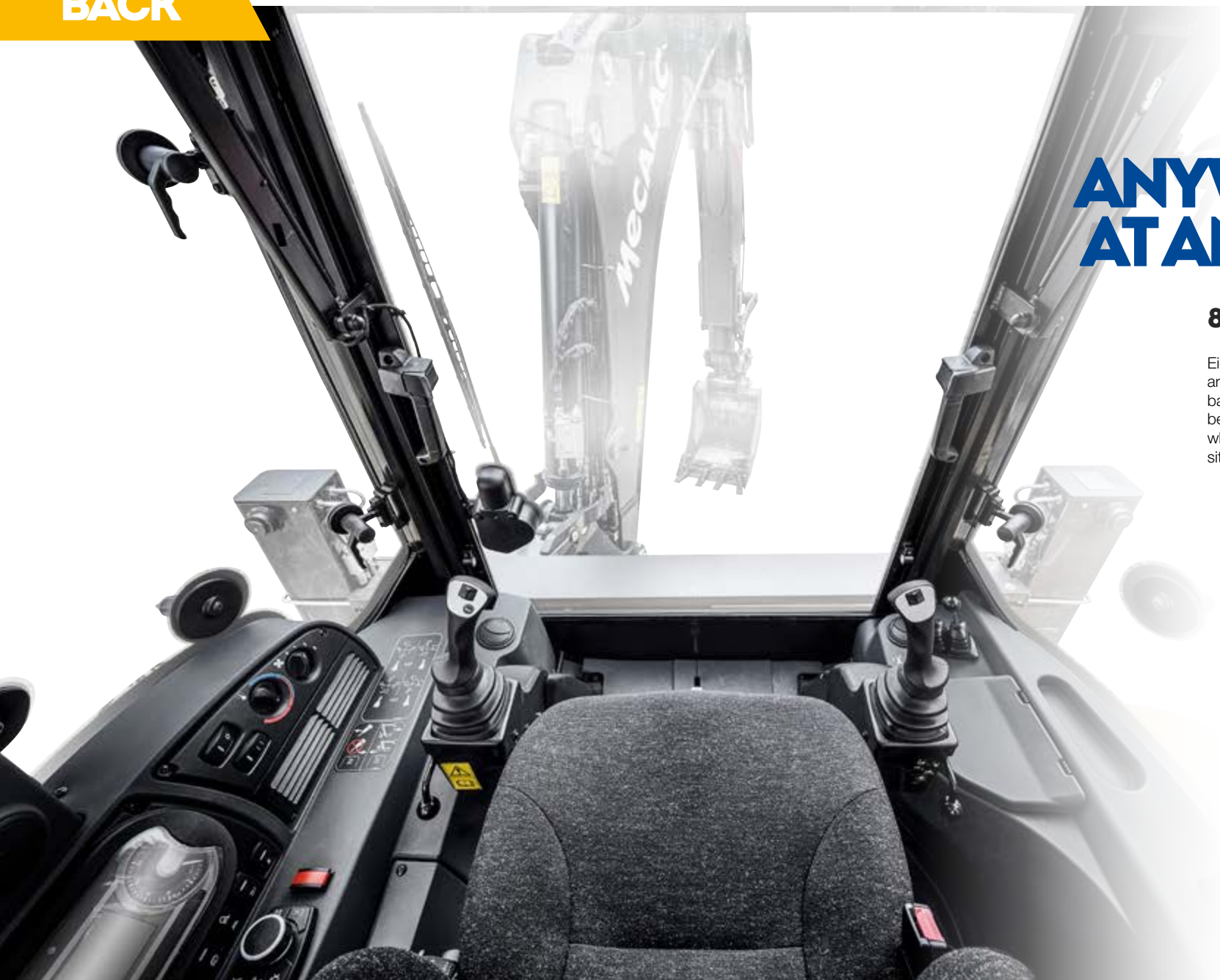
ALL AROUND VISIBILITY

No matter what the machine is used for, the large glass areas provide the operator with excellent visibility for increased productivity and safety.

The unique loader kinematics with a single centrally located bucket cylinder makes the bucket corners always visible for all the loader operations. When it comes to loading trucks, the additional high-level roof window offers enhanced visibility to fully raised loader bucket.



BACK



VISIBILITY

ANYWHERE, AT ANYTIME

8 LED WORKLIGHTS

Eight adjustable LED work lights are fitted as standard on all Mecalac backhoe loaders. This ensures the best visibility, safety and productivity when working at night or in low light situations.





SAFETY

LOADER AND BACKHOE LOCKED

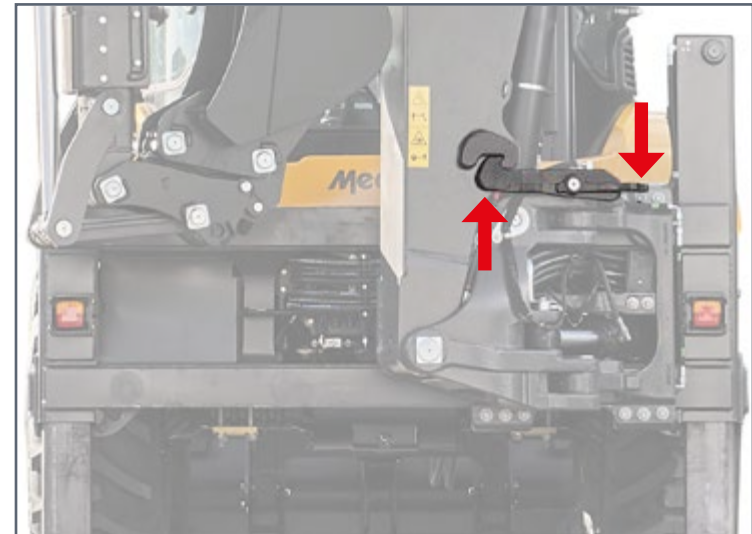
LOADER LOCKED

When carrying out tasks that require the loader to be raised and remain in a safe position the standard integrated cylinder strut can easily be installed by removing a single pin.



SAFELY ON THE ROAD

The Mecalac dual transport lock of the backhoe is the safest and simplest boom lock of the market. Operated by a single switch or lever within the cabin, the boom and the slew can be locked in a safe transport position within seconds.





SAFETY

PROTECTED OPERATORS

MAXIMUM CAB SAFETY

All cabs are ROPS and FOPS approved to ISO standards to ensure the best level of safety for the operator. In terms of accessibility, the wide opening door, grab handles and self-cleaning steps makes access easy from either side of the cab.





SERVICEABILITY

EASY ACCESS TO EVERYTHING

FROM GROUND LEVEL & LOADER LOWERED

At Mecalac it is important that the operator is able to carry out the machine daily checks in a safe and efficient manner. The single piece hinged bonnet allows easy access to routine maintenance points such as engine and transmission oil levels, most importantly these checks can be carried out with the operator's feet on the ground and with the front loader lowered.

- Tool-free access to routine maintenance points ✓
- All daily checks possible from ground level with loader lowered ✓
- Fully opening one-piece front hood to provide the easiest access ✓
- Loader safety strut as standard if further access required ✓
- Externally adjustable dipper wear pads for easy servicing and replacement ✓
- Lubrication free backhoe inner slide wear pads ✓





SERVICEABILITY

MINIMAL MAINTENANCE

PERFORMANCE WITH ECONOMY

When you choose a Mecalac backhoe loader, you choose high performance and proven engines widely used throughout the construction industry, with a global service support. Turbo charged and charge air-cooled, our engines are designed and developed to give you reliability, quiet operation and many hours of dependable power with economy.



BUILT FOR MINIMAL MAINTENANCE

The unique loader kinematics of the Mecalac backhoe loaders features a single bucket cylinder to provide the best performances with fewer components. This unique design allows to radically reduce the number of grease points by up to 40%, saving time and money.





TLB SERIES

OPTIMAL PERFORMANCE

Best in class performances

- ROBUST PLATFORM - Common robust chassis and proven engines
- EXCAVATE WITHOUT LIMIT - Impressive digging performances and possibilities
- LOAD HIGHER AND HEAVIER - Productive for all loading operations
- MOBILITY - Agile as well as fast and safe



TLB990

Mecalac



WATCH THE VIDEO

If you don't have a scanning app, you can download a QR code scanner from the App Store or Google Play.



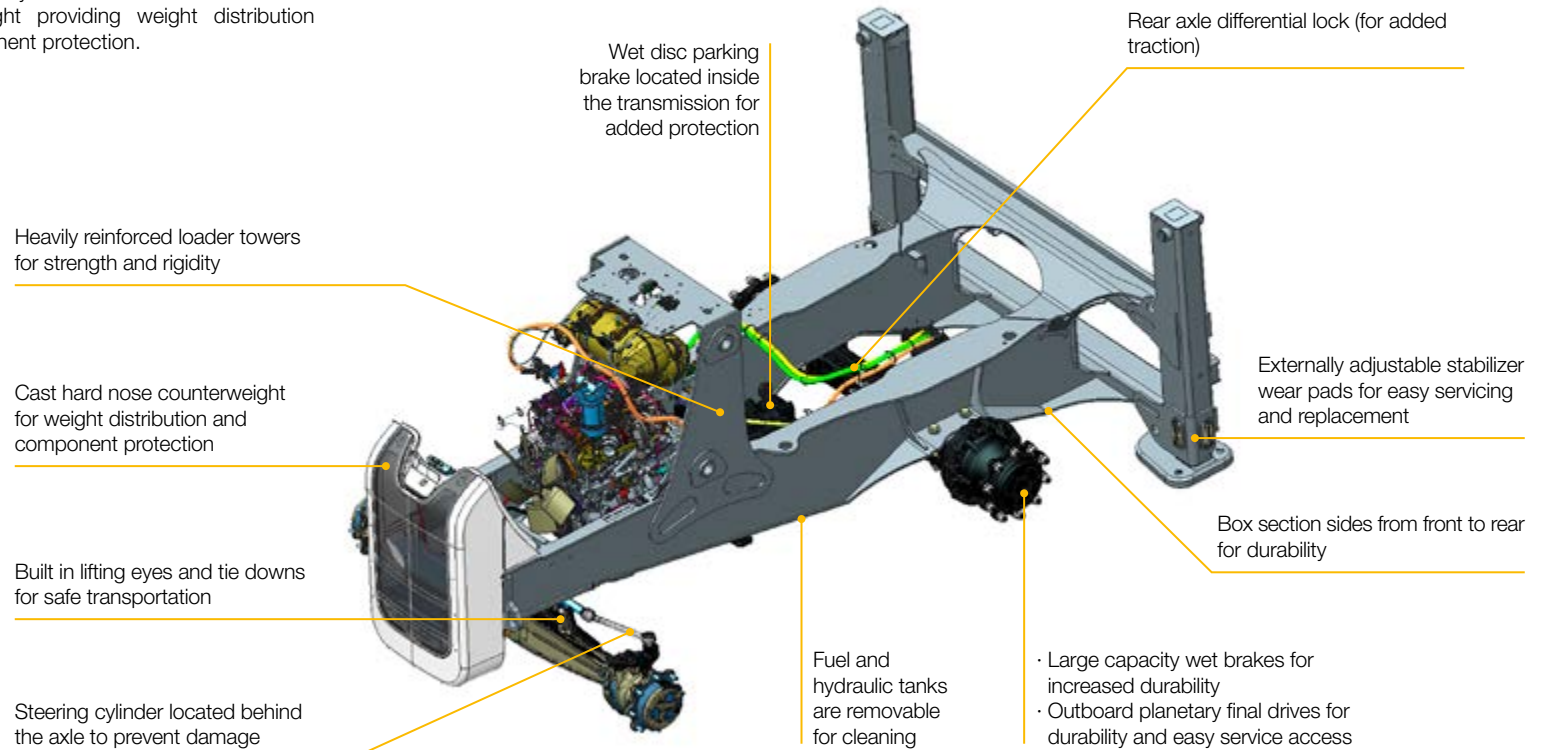
TLB SERIES



OPTIMAL PERFORMANCE

THE ROBUST MECALAC PLATFORM

The Mecalac backhoe loader is built on an industry acclaimed chassis with a proven track record for durability, reliability and safety. Further stability is added via the hard cast nose counterweight providing weight distribution and component protection.





OPTIMAL PERFORMANCE

POWERFUL EFFICIENCY

By producing high levels of power of up to 82 kW (110 hp) and torque of up to 450 Nm (332 lbf) power is provided to get things done with economy and efficiency.

For ultimate efficiency, the Mecalac TLB870 is our entry-level backhoe loader featuring a 55 kW (74 hp) engine to provide excellent excavator performances but with a low fuel consumption related to its low power engine.



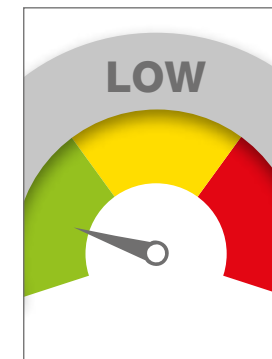
CLEANER POWER

Mecalac Backhoe loaders feature state-of-the-art engine technologies to deliver the highest efficiency in a small package. To meet the latest EU STAGE V / U.S. EPA TIER 4 FINAL emission regulations, Mecalac backhoe loaders integrate a combination of exhaust after treatment technologies, including a Diesel Oxidation Catalyst (DOC), an integrated and service free Diesel Particle Filter (DPF) with 8,000 hours exchange life, and a Selective Catalytic Reduction (SCR), except on the TLB870.



AUTO IDLE, POWERFUL ECONOMY

Available on the Mecalac TLB890 and TLB990, the Auto Idle function reduces the engine speed automatically when there is no load on the hydraulic system, helping to lower fuel consumption. Once the hydraulic load increases, the engine speed returns to the level previously set by the rotary throttle control.





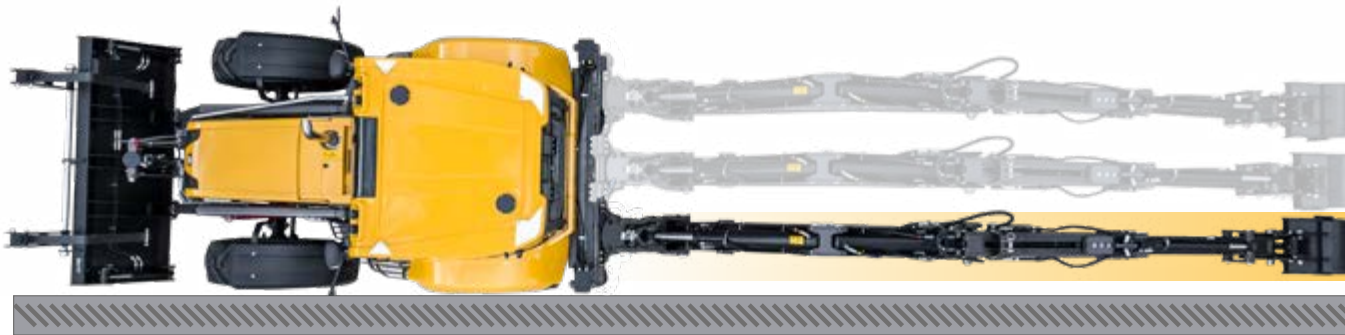
OPTIMAL PERFORMANCE

PERFORMANCES BACKHOE



IMPRESSIVE DIGGING PERFORMANCES

With an impressive ground level reach of up to 7 m (22'11") and a dig depth of up to 5.7 m (18'8") the Mecalac backhoe loader clearly outperforms any backhoe of its size. The remarkable digging force of up to 42 kN (9442 lbf) and the high bucket force of up to 69 kN (15512 lbf) make Mecalac backhoe loaders productive even in the toughest conditions. To ensure an extra 1.3 m (4'3") reach and depth and to minimize repositioning, the extendable dipper is available on all Mecalac models.



SIMPLE SIDESHIFT

All sideshift backhoe loaders from Mecalac feature a hydraulic clamping system with large clamp retraction that ensures easy repositioning of the excavator. For customers looking to reposition on delicate surfaces or in confined spaces the optional hydraulic powered sideshift is available, allowing repositioning at the touch of a button.



OPTIMAL PERFORMANCE

EXCAVATOR CONTROLS

Each operator has preferences and, as Mecalac, we are able to offer a choice of excavator controls to suit those preferences. Mechanical excavator controls are available with a choice of driving control pattern. Servo excavator controls (joystick controls) are also available with an ISO/SAE switch that allows the control pattern to be adjusted by the operator as well as a proportional thumb slider control of the extendable dipper.



CURVED BOOM TO REACH OVER OBSTACLES

With its modern design, the curved style boom available on the Mecalac TLB890 and TLB990 provides the best level of performances and visibility when trenching.





OPTIMAL PERFORMANCE

PERFORMANCES LOADER

RIDE CONTROL - DISCOVER SMOOTH TRAVEL

The Ride Control system provides suspension to the front loader for further comfort and stability during travel across the building site or on the highway, eliminating also the risk of material spillage and reducing wear and tear of the machine. On Mecalac TLB890 and TLB990 the Auto Ride control automatically engages ride control above a set speed, that can be adjusted within the onboard computer.



SIMPLE AND AUTOMATED CONTROLS

Mecalac backhoe loaders can be put straight to work thanks to the intuitive single multifunction proportional control lever of the loader.

As standard, all Mecalac backhoe loaders offer automatic features to deliver operator comfort and reduced cycle times:

- A self levelling bucket system reduces spillage and retains the load in the bucket to full height

- Dual function control of the multi-purpose bucket delivers simultaneous clamshell and bucket operation (either a dual lever or on a multifunctional lever)
- A return to dig system automatically sets the working angle of the bucket
- A transmission disconnect button delivers increased lifting performance by disengaging the drive to the wheels and diverts the engine power to the loader hydraulics.



OPTIMAL PERFORMANCE

HIGHER AND HEAVIER LOADS

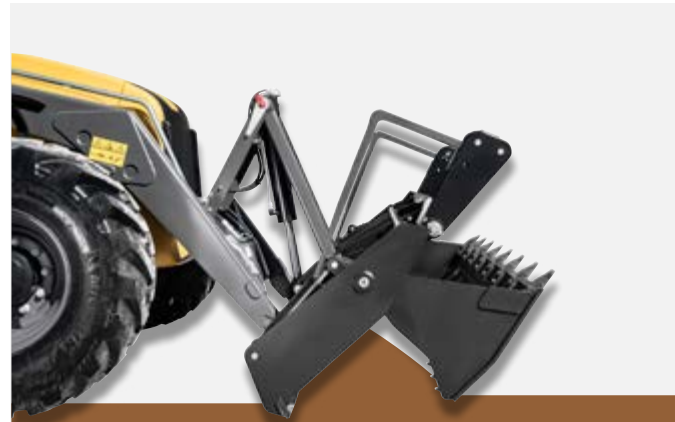
The robust Mecalac front loader is renowned for its high bucket breakout force of up to 55.4 kN (12455 lbf) and its exceptional lift capacity of up to 3966 kg (8744 lbs) at up to 3.6 m (11'9"). Thus, high-sided trucks are loaded easily from one side and fast discharge from the bucket is ensured by a remarkable 47° dump angle.

The single bucket cylinder provides maximum force for bucket breakout and maximum speed for bucket dumping as well as the best level of visibility over the load and the bucket corners.



ONE ATTACHMENT - PLENTY OF USES

The hydraulic or mechanical quick attach enables a wide range of attachments to be fitted. Versatility is even greater with the highly acclaimed multi-purpose front bucket which enables to dig, load, doze, spread, grab, level and lift with a capacity of up to 1.2 m³ (1.6 yd³). The optional fork kit makes possible to handle palletized loads of up to 1000 kg (2205 lb) without the need for a dedicated vehicle.





OPTIMAL PERFORMANCE

PERFORMANCES MOBILITY

SYNCHRO SHUTTLE OR POWERSHIFT

Propelled by either a 4 speed synchro shuttle transmission with manual gear selection or powershift transmission (servo power synchro) for automatic gear shifting, the Mecalac backhoe loader delivers excellent traction and speed up to 40 Km/h (25 mph) to make your operations smooth and productive.





OPTIMAL PERFORMANCE

EFFICIENCY IN DEMANDING APPLICATIONS

The high ground clearance, the large front axle oscillation of up to 16° and the four wheel drive fitted with premium brand tires enable to keep firm contact with the ground to maintain stability and productivity in the most severe terrains.

By activating the differential using the convenient floor mounted switch, 100% of the torque is delivered to both wheels and ensures maximum traction in all ground conditions.

MECALAC TLB990 - SELECTABLE STEERING MODE

The four-wheel steering system combined with the four-wheel drive and identical size wheels of the Mecalac TLB990 allow to keeping working in conditions where other backhoes cannot. From the normal position with two wheel steering, you can select four wheel steering for a superior maneuverability with a turning circle of only 7.3 m (23'11") or crab steering mode to access into tight areas.



2 WHEEL STEERING



4 WHEEL STEERING



4 WHEEL CRAB STEERING





SERVICES

PERFORMANCE, PROFITABILITY, LONGEVITY

DISCOVER OUR SERVICES

MECALAC PREMIUM LUBRICANTS

Premium lubricants to get the best out of your machines:

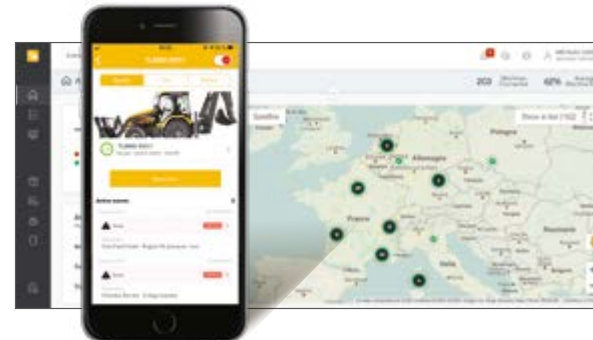
- Extended machine life
- Extended warranty and extended oil change intervals
- All-weather efficiency



MY MECALAC CONNECTED SERVICES

To optimise the use of its machines, MECALAC offers a range of telematics services:

- Remote fleet management
- Access to all machine usage data of the machines
- Limited machine downtime thanks to preventive maintenance




MY MECALAC
CONNECTED SERVICES





MECALAC GENUINE PARTS

Only genuine MECALAC parts ensure optimum service life and maximum performance:

- Certified genuine parts
- Maintenance kits
- Extended warranty



MECALAC TRAINING

Make full use of the full potential of your Mecalac machines:

- Efficient use
- Individual coaching
- Intensive practice



MECALAC FINANCIAL SOLUTIONS

A complete range of financial products and associated services to meet your specific needs:

- Machine purchase
- Machine rental
- Competitive rates



WARRANTY EXTENSIONS

Our solutions are well-adapted to your needs to maximise the life of your machines:

- Customised contracts
- Peace of mind
- Controlled expenses



The list of services offered may vary depending on your country. Consult your local Mecalac dealer for details.



TLB SERIES

TECHNICAL DATA

SERIES TLB

TECHNICAL DATA

STAGE V / TIER 4 FINAL



TLB870	TLB880	SPECIFICATIONS	TLB890	TLB990
Straight style boom Inner extender	Straight style boom Inner extender	ENGINE EU Stage V / U.S. EPA Tier 4 Final	Curved style boom Inner extender	Curved style boom Inner extender
55,4 kW (74,3 hp)	74,5 kW (100 hp)	Gross power at 2200 rpm	82 kW (110 hp)	82 kW (110 hp)
390 Nm (288 lbf)	430 Nm (317 lbf)	Maximum torque	450 Nm (332 lbf)	450 Nm (332 lbf)
TRANSMISSION				
Synchroshuttle or Powershift	Synchroshuttle or Powershift	Type	Synchroshuttle or Powershift	Powershift
Not available	Not available	Active drive "direct drive" to the transmission	Option	Standard
HYDRAULIC SYSTEM				
Tandem gear pumps Total flow 128 L/min (28 gpm)	Tandem gear pumps Total flow 143 L/min (31 gpm)	Type	Single variable piston pump Total flow 164 L/min (36 gpm)	Single variable piston pump Total flow 164 L/min (36 gpm)
MANOEUVRABILITY				
2-wheel steer	2-wheel steer	Steer mode	2-wheel steer	4-wheel steer
7900 mm (25'11")	7900 mm (25'11")	Turning circle	7900 mm (25'11")	7300 mm (23'10")
38 kph (24 mph)	40 kph (25 mph)	Max travel speed (kph)	40 kph (25 mph)	40 kph (25 mph)
BACKHOE PERFORMANCE				
Option	Option	Hydraulic powered sideshift	Option	Option
Servo controls (Joystick)	Mechanical controls	Digger controls	Mechanical or Servo controls (Joystick)	Mechanical or Servo controls (Joystick)
5725 mm / 6995 mm (18'9") / (22'11")	5725 mm / 6995 mm (18'9") / (22'11")	Maximum reach (Retracted / Extended)	5869 mm / 6959 mm (19'3") / (22'10")	5869 mm / 6959 mm (19'3") / (22'10")
LOADER PERFORMANCE				
4200 daN (9442 lbf)	4200 daN (9442 lbf)	Loader breakout force	5540 daN (12454 lbf)	5540 daN (12454 lbf)
3700 kg (8157 lbs)	3700 kg (8157 lbs)	Lift capacity at maximum height	3966 kg (8744 lbf)	3966 kg (8744 lbf)
3510 mm (11'6")	3510 mm (11'6")	Maximum lift height (Hinge pin)	3543 mm (11'7")	3595 mm (11'10")
1 m ³ (1.3 yd ³)	1 m ³ (1.3 yd ³) or 1.2 m ³ (1.57 yd ³)	Available loader bucket	1 m ³ (1.3 yd ³) or 1.2 m ³ (1.57 yd ³)	1 m ³ (1.3 yd ³) or 1.2 m ³ (1.57 yd ³)

TLB SERIES

TECHNICAL DATA STAGE V / TIER 4 FINAL

MACHINE DIMENSIONS	TLB870	TLB880	TLB890	TLB990
A Overall machine length	5921 mm (19'5")	6212 mm (20'5")	6248 mm (20'6")	6206 (20'4") mm
B Overall height of structures	3827 mm (12'7")	3827 mm (12'7")	3813 mm (12'6")	3893 mm (12'9")
C Overall machine width	2310 mm (7'7")	2310 mm (7'7")	2365 mm (7'9")	2365 mm (7'9")
D Cab roof height	2801 mm (9'2")	2801 mm (9'2")	2822 mm (9'3")	2893 mm (9'6")
E Wheelbase / Axle centreline distance	2134 mm (7')	2134 mm (7')	2131 mm (6'12")	2107 mm (6'11")
F Stabiliser ground clearance	361 mm (1'2")	361 mm (1'2")	435 mm (1'5")	457 mm (1'6")
G Departure angle	20°	20°	20°	22°

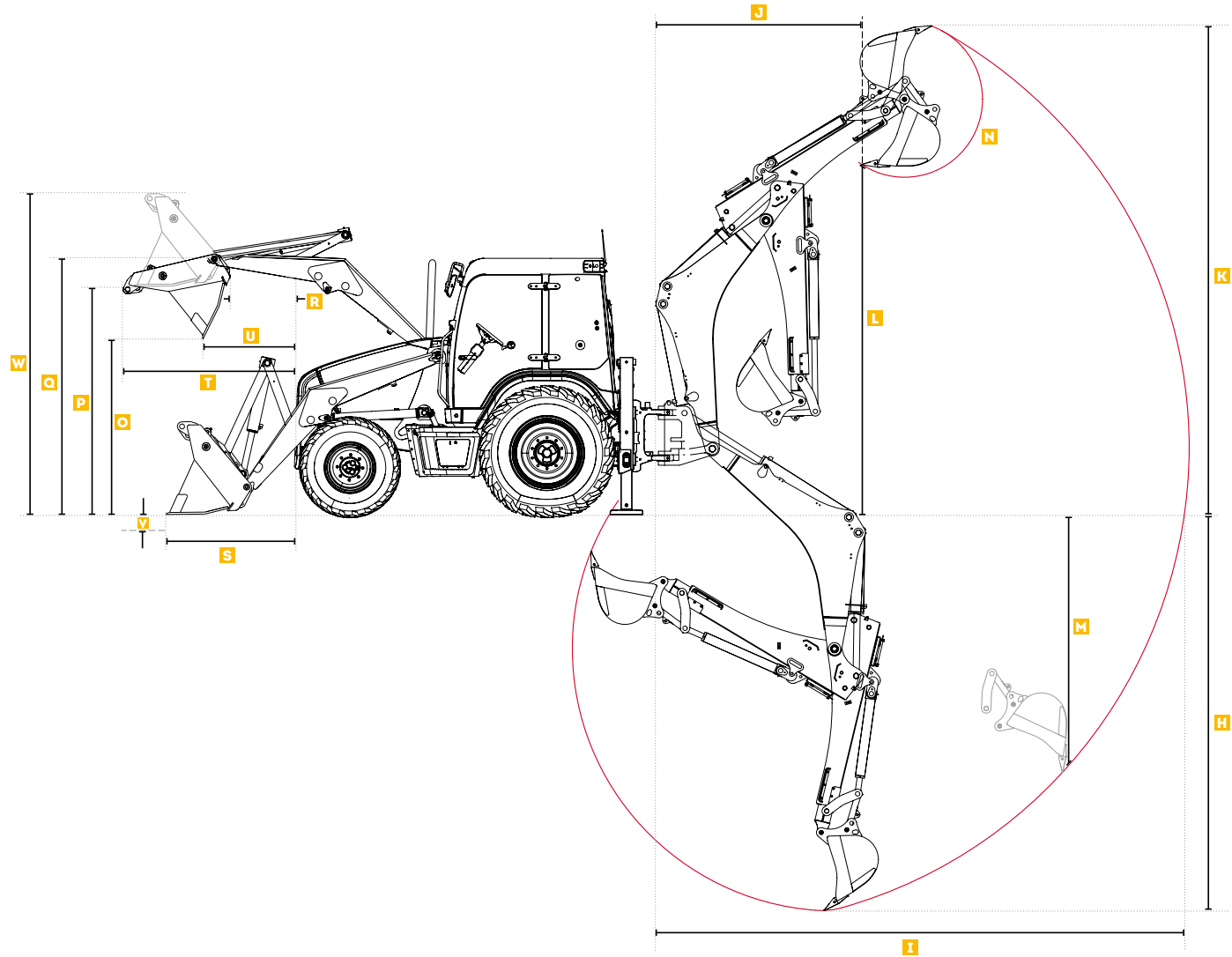
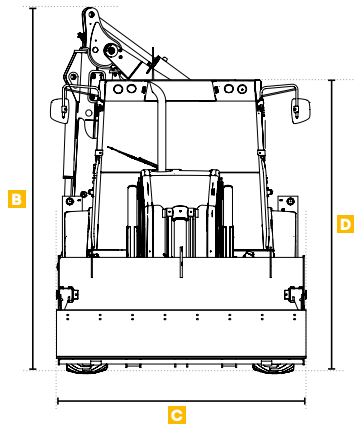
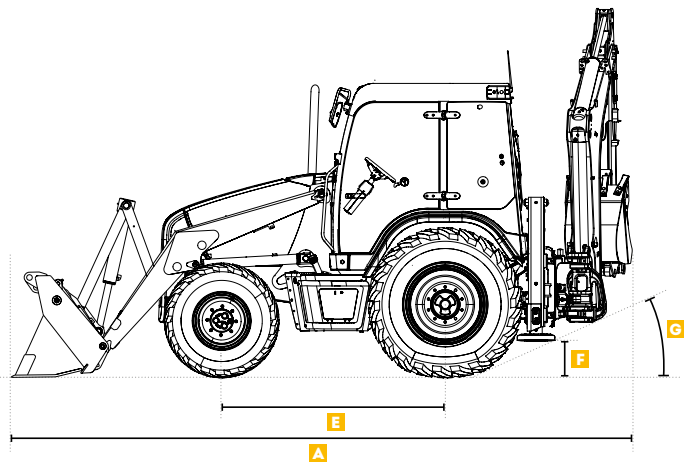
BACKHOE DIMENSIONS	TLB870		TLB880		TLB890		TLB990	
	Standard/Retracted	Extended	Standard/Retracted	Extended	Standard/Retracted	Extended	Standard/Retracted	Extended
Dig depth - Maximum SAE	4401 mm (14'5")	5744 mm (18'10")	4401 mm (14'5")	5744 mm (18'10")	4493 mm (14'9")	5660 mm (18'7")	4424 mm (14'6")	5660 mm (18'7")
H Dig depth - 60 cm (2 ft) flat bottom SAE	4387 mm (14'4")	5730 mm (18'8")	4387 mm (14'4")	5730 mm (18'8")	4455 mm (14'7")	5620 mm (18'5")	4386 mm (14'5")	5551 (18'3")
Maximum dig depth with deep profile bucket (non-SAE)	NA	6372 mm (20'11")	NA	6372 mm (20'11")	NA	6384 mm (20'11")	NA	6302 mm (20'8")
I Reach - Ground level to slew center	5725 mm (18'9")	6995 mm (22'11")	5725 mm (18'9")	6995 mm (22'11")	5879 mm (19'3")	6959 mm (22'10")	5869 mm (19'3")	6959 mm (22'10")
J Loading reach	1739 mm (5'8")	2672 mm (8'9")	1739 mm (5'8")	2672 mm (8'9")	2257 mm (7'5")	3274 mm (10'9")	2257 mm (7'5")	3274 mm (10'9")
K Maximum operating height	5623 mm (18'5")	6606 mm (21'8")	5623 mm (18'5")	6606 mm (21'8")	5504 mm (18'1")	6135 mm (20'2")	5572 mm (18'3")	6192 mm (20'4")
Loading height SAE	3963 mm (13')	4938 mm (16'2")	3963 mm (13')	4938 mm (16'2")	3968 mm (13'0")	4600 mm (15'1")	4037 mm (13'3")	4680 mm (15'4")
L Maximum dumping height	3883 mm (12'9")	4858 mm (15'11")	3883 mm (12'9")	4858 mm (15'11")	3797 mm (12'5")	4428 mm (14'6")	3866 mm (12'8")	4506 mm (14'9")
M Straight wall dig depth	2557 mm (8'5")	3714 mm (12'2")	2557 mm (8'5")	3714 mm (12'2")	2530 mm (8'4")	3663 mm (12'0")	2461 mm (8'1")	3594 mm (11'9")
N Bucket rotation degrees	163° (power) 194° (speed)		163° (power) 194° (speed)		166° (power) 197° (speed)		166° (power) 197° (speed)	
Total sideshift	1250 mm (4'1")		1250 mm (4'1")		1250 mm (4'1")		1250 mm (4'1")	
Stabilizer spread	2290 mm (7'6")		2290 mm (7'6")		2290 mm (7'6")		2290 mm (7'6")	
Maximum levelling angle	6°		6°		5°		5°	

LOADER DIMENSIONS	TLB870	TLB880	TLB890	TLB990
O Dump clearance at 45°	2722 mm (8'11")	2722 mm (8'11")	2761 mm (9'1")	2811 mm (9'3")
P Loader height	3261 mm (10'8")	3261 mm (10'8")	3302 mm (10'10")	3350 mm (10'12")
Q Loader hinge pin height	3510 mm (11'6")	3510 mm (11'6")	3615 mm (11'10")	3671 mm (12')
R Hinge pin forward reach	386 mm (1'3")	386 mm (1'3")	386 mm (1'3")	403 mm (1'4")
S Reach at ground level	1454 mm (4'9")	1454 mm (4'9")	1492 mm (4'11")	1453 mm (4'9")
T Maximum reach at full height	1214 mm (3'12")	1214 mm (3'12")	1219 mm (4'0")	1233 mm (4'1")
U Reach at full height fully dumped	732 mm (2'5")	732 mm (2'5")	757 mm (2'6")	769 mm (2'6")
V Dig depth	134 mm (0'5")	134 mm (0'5")	165 mm (6")	118 mm (5")
W Overall operating height	4412 mm (14'6")	4412 mm (14'6")	4406 mm (14'5")	4658 mm (15'3")
Bucket roll back at ground level	42°	42°	45°	45°
Maximum dump angle	49°	49°	48°	48°

TLB SERIES

TECHNICAL DATA

STAGE V / TIER 4 FINAL



TLB SERIES

TECHNICAL DATA STAGE V / TIER 4 FINAL

ENGINE	TLB870	TLB880	TLB890	TLB990
Make / Model	Perkins 904J-E36TA	Perkins 904J-E36TA	Perkins 904J-E36TA	Perkins 904J-E36TA
Aspiration	Wastegate turbocharger with charge air cooling	Wastegate turbocharger with charge air cooling	Wastegate turbocharger with charge air cooling	Wastegate turbocharger with charge air cooling
Emissions level	EU Stage V / U.S. EPA Tier 4 Final*	EU Stage V / U.S. EPA Tier 4 Final*	EU Stage V / U.S. EPA Tier 4 Final*	EU Stage V / U.S. EPA Tier 4 Final*
Fuel injection system	Electronic fuel injection	Electronic fuel injection	Electronic fuel injection	Electronic fuel injection
Exhaust aftertreatment system	DOC+DPF	DOC+DPF+SCR	DOC+DPF+SCR	DOC+DPF+SCR
Number of Cylinders	4	4	4	4
Displacement	3.6 L (220 in ³)	3.6 L (221 in ³)	3.6 L (221 in ³)	3.6 L (221 in ³)
Rated engine speed	2200 rpm	2200 rpm	2200 rpm	2200 rpm
Gross power @ 2200 rpm cert. rating to UN/ECE R120	55.4 kW (74.3 hp)	74.5 kW (100 hp)	82 kW (110 hp)	82 kW (110 hp)
Derived net rating @ 2200 rpm to ISO/80/1269/EC	51.0 kW (68.3 hp)	68.8 kW (94 hp)	76.9 kW (103.1 hp)	76.9 kW (103.1 hp)
Maximum Torque @ 1400 rpm UN/ECE R120	424 Nm (313 lbf)	430 Nm (317 lb.ft)	450 Nm (332 lb.ft)	450 Nm (332 lb.ft)
Maximum Torque @ 1400 rpm 80/1269/EC	398 Nm (294 lbf)	403 Nm (297 lb.ft)	424 Nm (312 lb.ft)	424 Nm (312 lb.ft)

TRANSMISSION	TLB870		TLB880		TLB890		TLB990
Type	Synchroshuttle	Servo Power Synchro (Powershift)	Synchroshuttle	Servo Power Synchro (Powershift)	Synchroshuttle	Servo Power Synchro (Powershift)	Servo Power Synchro (Powershift)
Number of speed	4	4	4	4	4	4	4
Active Drive transmission lock-up	NA	NA	NA	NA	NA	Optional	Standard
Shift operation	De-clutch button on gear lever	Push button kickdown and kick up in 1 st and 2 nd gear	De-clutch button on shift lever	Push button kickdown and kick up in 1 st and 2 nd gear	De-clutch button on shift lever	Push button kickdown and kick up in 1 st and 2 nd gear	Push button kickdown and kick up in 1 st and 2 nd gear
Gear selection	Manual	Automatic and Manual	Manual	Automatic and manual	Manual	Automatic and manual	Automatic and manual
Torque converter	Single 3.01:1 stall ratio	Single 3.01:1 stall ratio	Single 3.01:1 stall ratio	Single 3.01:1 stall ratio	Single 3.01:1 stall ratio	Single 3.01:1 (Without Active Drive) or 2.38:1 (With Active Drive) stall ratios	Single 2.38:1 stall ratios
Tyres Front/Rear	18" / 28"	18" / 28"	18" / 28"	18" / 28"	20"/30"	20"/30"	24" / 24"
1 st - km/h (mph)	5.7 (4)	5.7 (4)	5,9 (4)	5,9 (4)	5.9 (3.7)	5.9 (3.7)	6.5 (4.0)
2 nd - km/h (mph)	9.1 (6)	9.3 (6)	9,5 (6)	9,5 (6)	9.6 (5.9)	9.6 (5.9)	10.4 (6.5)
3 rd - km/h (mph)	19.1 (12)	19.8 (12)	20,2 (13)	20,2 (13)	21 (13)	21 (13)	23.2 (14.4)
4 th - km/h (mph)	34.2 (21)	37.3 (23)	37,2 (23)	37,2 (23)	41 (25.6)	41 (25.6)	40.6 (25.2)

* For safety reason, Servo Power Synchro (Powershift) have only the 1st, 2nd, 3rd ratio in reverse.

TLB SERIES

TECHNICAL DATA STAGE V / TIER 4 FINAL

AXLES AND BRAKES	TLB870	TLB880	TLB890	TLB990
General	Outboard planetary drives for easier servicing Foot operated differential lock with 100% lockup High capacity outboard mounted wet disc brakes Self equalizing and self adjusting brakes Internal wet disc parking brake	Outboard planetary final drives for easier servicing Foot operated differential lock with 100% lockup High capacity outboard mounted wet disc brakes Self equalizing and self adjusting brakes Internal wet disc parking brake	Outboard planetary final drives for easier servicing Foot operated differential lock with 100% lockup High capacity outboard mounted wet disc brakes Self equalizing and self adjusting brakes Internal wet disc parking brake	Outboard planetary final drives for easier servicing Foot operated differential lock with 100% lockup High capacity outboard mounted wet disc brakes Self equalizing and self adjusting brakes Internal wet disc parking brake
Steering mode	2-wheel steer	2-wheel steer	2-wheel steer	4-wheel steer (Selectable 2/4/crab wheel steering)
Wheel braking	Selectable 2 or 4 wheel braking	Selectable 2 or 4 wheel braking	Selectable 2 or 4 wheel braking	Selectable 2 or 4 wheel braking
Front axle oscillation angle	± 16°	± 16°	± 16°	± 16°
Front axle ratings kN (lb) - Max Static Loading	225 (50582)	225 (50582)	225 (50582)	225 (50582)
Front axle ratings kN (lb) - Max Dynamic Loading	90 (20233)	90 (20233)	90 (20259)	90 (20233)
Rear axle ratings kN (lb) - Max Static Loading	187.5 (42152)	187.5 (42152)	187.5 (42152)	187.5 (42152)
Rear axle ratings kN (lb) - Max Dynamic Loading	75 (16861)	75 (16861)	75 (16867)	75 (16867)

TURNING CIRCLES	TLB870		TLB880		TLB890		TLB990	
	Over Tyres	Over Bucket	Over Tyres	Over Bucket	Over Tyres	Over Bucket	Over Tyres	Over Bucket
Without brakes m (ft) - 2 wheel steer	7.9 (25' 11")	10.8 (35'5")	7.9 (25'11")	10.8 (35'5")	7.9 (25'11")	10.8 (35'5")	7.9 (25'11")	10.8 (35'5")
With brakes m (ft) - 2 wheel steer	7.0 (22'12")	10.0 (32'10")	7.0 (22'12")	10.0 (32'10")	7.0 (22'12")	10.0 (32'10")	7.0 (22'12")	10.0 (32'10")
Without brakes m (ft) - 4 wheel steer	NA	NA	NA	NA	NA	NA	7.4 (24'3")	9.4 (30'10")
With brakes m (ft) - 4 wheel steer	NA	NA	NA	NA	NA	NA	7 (22'12")	8 (26'3")

OPERATING WEIGHT	TLB870	TLB880	TLB890	TLB990
Standard machine operating weight *kg (lbs)	7695 (16965)	8060 (17769)	8283 (18261)	8453 (18636)
Weight increase - Multi-purpose loader bucket 1.2 m ³	337 (743)	337 (743)	337 (743)	337 (743)
Weight increase - Pallet forks on multi-purpose loader bucket	153 (337)	153 (337)	153 (337)	153 (337)
Weight increase - Inner slide extendable arm	217 (478)	217 (478)	235 (518)	235 (518)

*Base operating weight includes cab, standard loader bucket, standard dipper sticker, 600 mm (24 in) bucket, full fuel tank and 75 kg (165 lbs) operator.

TLB SERIES

TECHNICAL DATA STAGE V / TIER 4 FINAL

HYDRAULIC SYSTEM	TLB870	TLB880	TLB890	TLB990
Pump type	Tandem gear pumps	Tandem gear pumps	Variable piston pump	Variable piston pump
Hydraulic pump control	Inloader valve	Unloader valve	Load Sensing	Load Sensing
Backhoe Control type	Servo controls (Joystick)	Mechanical controls	Mechanical or Servo controls (Joystick)	Mechanical or Servo controls (Joystick)
Circuit type	Open center	Closed center	Closed center	Closed center
Main gear pump flow @ 2200 rpm - l/min (gpm US / gpm)	83 (22/18)	85 (22.5/18.7)	NA	NA
Twin gear pump flow @ 2200 rpm - l/min (gpm US / gpm)	45 (12/10)	58 (15.3/12.8)	NA	NA
Variable displacement pump flow @ 2200 rpm - l/min (gpm US / gpm)	NA	NA	164 (43/36)	164 (43/36)
Maximum pressure level - bar (psi)	250 (3626)	250 (3626)	250 (3625)	250 (3625)

ELECTRICAL SYSTEM	TLB870	TLB880	TLB890	TLB990
General	Wiring and connectors meet IP69 standard Maintenance free battery Battery isolator Blade type fuses	Wiring and connectors meet IP69 standard Maintenance free battery Battery isolator Blade type fuses	Wiring and connectors meet IP69 standard Maintenance free battery Battery isolator Blade type fuses	Wiring and connectors meet IP69 standard Maintenance free battery Battery isolator Blade type fuses
12 Volt alternator (Amps)	85	85	85	85
Battery capacity (CCA / Ahr)	920 / 110 (Single battery)	920 / 110 (Single battery)	920 / 110 (Single battery)	920 / 110 (Single battery)

CAPACITIES	TLB870	TLB880	TLB890	TLB990
Fuel tank - Ltrs (gals US / gals)	134.5 (35.5/29.6)	134.5 (35.5/29.6)	134.5 (35.5/29.6)	134.5 (35.5/29.6)
Engine coolant- Ltrs (gals US / gals)	14 (3.7/3.1)	14 (3.7/3.1)	14 (3.7/3.1)	14 (3.7/3.1)
Engine oil (including filter) - Ltrs (gals US / gals)	9 (2.4/2)	9 (2.4/2)	9 (2.4/2)	9 (2.4/2)
Rear axle (including final drives) - Ltrs (gals US / gals)	15.5 (4.1/3.4)	15.5 (4.1/3.4)	15.5 (4.1/3.4)	15.5 (4.1/3.4)
Front axle (including final drives) - Ltrs (gals US / gals)	9.1 (2.4/2.0)	9.1 (2.4/2.0)	9.1 (2.4/2.0)	9.1 (2.4/2.0)
Hydraulic tank - Ltrs (gals US / gals)	87.5 (23.1/19.2)	87.5 (23.1/19.2)	87.5 (23.1/19.2)	87.5 (23.1/19.2)
Synchro shuttle transmission- Ltrs (gals US / gals)	18.0 (4.8/4.0)	18.0 (4.8/4.0)	18.0 (4.8/4.0)	18.0 (4.8/4.0)
Servo power synchro transmission- Ltrs (gals US / gals)	18.0 (4.8/4.0)	18.0 (4.8/4.0)	18.0 (4.8/4.0)	18.0 (4.8/4.0)
DEF Tank- Ltrs (gals US / gals)	No Adblue	19.0 (5/4.2)	19.0 (5/4.2)	19.0 (5/4.2)

TLB SERIES

TECHNICAL DATA STAGE V / TIER 4 FINAL

BACKHOE PERFORMANCE	TLB870		TLB880		TLB890		TLB990	
	Standard/Retracted	Extended	Standard/Retracted	Extended	Standard/Retracted	Extended	Standard/Retracted	Extended
Dipper tearout kN (lbf) (SAE J49 Standard)	42.2 (9487)	28.7 (6452)	42.2 (9487)	28.7 (6452)	41.1 (9240)	29 (6519)	41.1 (9240)	29 (6519)
Bucket tearout kN (lbf) - Speed	60 (13489)		60 (13489)		60.3 (13489)		60.3 (13489)	
Bucket tearout kN (lbf) - Power	68.7 (15444)		68.7 (15444)		68.7 (15444)		68.7 (15444)	
Max slew torque kNm (lbf-ft)	20.7 (15267)		20.7 (15267)		27.8 (20504)		27.8 (20504)	

LOADER PERFORMANCE	TLB870		TLB880		TLB890		TLB990	
	Standard Bucket	7 in 1 Bucket	Standard Bucket	7 in 1 Bucket	Standard Bucket	7 in 1 Bucket	Standard Bucket	7 in 1 Bucket
Bucket type								
Bucket breakout kN (lbf)	42 (9441.98)	41.9 (9420)	42 (9441.98)	41.9 (9420)	55.4 (12454)	53.7 (12072)	55.4 (12454)	53.7 (12072)
Arms breakout kN (lbf)	46 (10341.2)	41.9 (9419)	46 (10341.2)	41.9 (9419)	51.1 (11487)	47.8 (10746)	51.1 (11487)	47.8 (10746)
Lift capacity to full height kg (lbs)	3759.34 (8288)	3279 (7229)	3699 (8155)	3249 (7163)	3966 (8744)	3629 (8000)	3966 (8744)	3629 (8000)
Rated operating capacity kg (lbs)	2813.55 (6203)	2574 (5675)	2784 (6137)	2559 (5641)	3503 (7722)	3166 (6980)	3503 (7722)	3166 (6980)

BACKHOE BUCKETS	Width mm (ins)	Capacity m ³ (ft ³)	Weight Kg (lbs)
Standard trenching	305 (12)	0.074 (2.62)	99 (218)
	450 (18)	0.120 (4.25)	114 (251)
	600 (24)	0.177 (6.26)	136 (300)
	750 (30)	0.236 (8.32)	157 (346)
Heavy duty	900 (36)	0.296 (10.44)	178 (392)
	305 (12)	0.084 (2.96)	112 (247)
	450 (18)	0.140 (4.96)	128 (282)
	600 (24)	0.203 (7.15)	152 (335)
	750 (30)	0.266 (9.38)	174 (383)
Ditch cleaning	900 (36)	0.330 (11.66)	198 (436)
	1500 (60)	0.262 (9.2)	180 (397)
Trapezoidal	1800 (72)	0.317 (11.2)	204 (450)
	1200 (48)	0.258 (9.1)	146 (322)


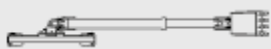

LOADER BUCKETS	Standard Bucket		7 in 1 Bucket	
Width	2311 mm (7'7")	2386 mm (7'8")	2311 mm (7'7")	2386 mm (7'8")
Capacity	1 m ³ (1.32 yd ³)	1.2 m ³ (1.57 yd ³)	1 m ³ (1.32 yd ³)	1.2 m ³ (1.57 yd ³)
Weight	400 kg (880 lbs)	430 kg (948 lbs)	730 kg (1606 lbs)	430 kg (948 lbs)

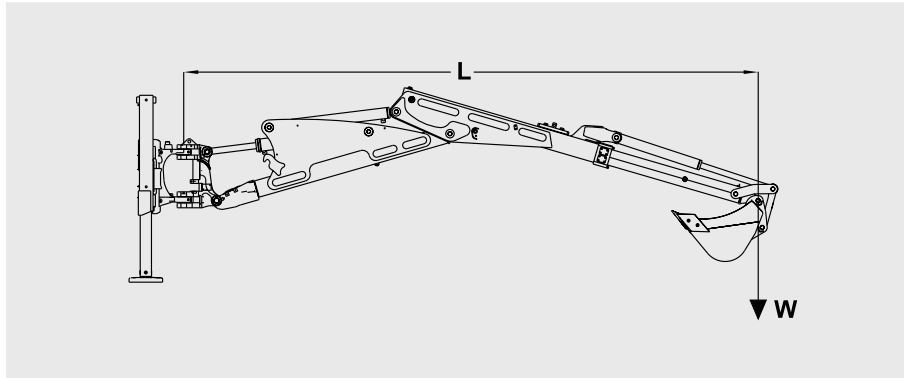
PALLET FORKS ON LOADER BUCKET	
Fork length	1067 mm (3'6")
Section width	80 mm (3")
Assembly weight	150 kg (330 lb)
Max. operating height	3097 mm (10'2")
Reach at ground level	2660 mm (8'9")
Reach at full height	2251 mm (7'5")
S.W.L. at 500mm load center	1000 kg (2204 lb)

TLB870.880

TECHNICAL DATA STAGE V / TIER 4 FINAL

SIDESHIFT BACKHOE (Load chart for Extending Dipperstick using boom cylinder for lifting)	2,8 m (9'2")	4,1 m (13'5")	4,7 m (15'5")	5,2 m (17'1")	5,8 m (19')	6,1 m (20')
--	-----------------	------------------	------------------	------------------	----------------	----------------


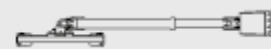

	1269 kg (2798 lbs)	1163 kg (2564 lbs)	829 kg (1828 lbs)	846 kg (1865 lbs)	743 kg (1638 lbs)	578 kg (1274 lbs)
	1076 kg (2372 lbs)	1163 kg (2564 lbs)	829 kg (1828 lbs)	334 kg (736 lbs)	265 kg (584 lbs)	562 kg (1239 lbs)
	801 kg (1766 lbs)	974 kg (2147 lbs)	762 kg (1680 lbs)	610 kg (1345 lbs)	524 kg (1155 lbs)	416 kg (917 lbs)

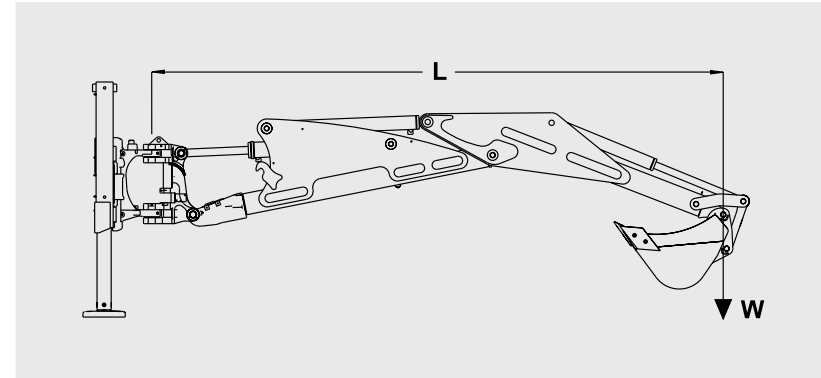


Backhoe Configuration (Top to Bottom)

- Centrally located 'over end' lift capacity (within 45° either side of the machine centreline)
- Centrally located lift capacity through the full swing arc
- Fully offset lift capacity through the full swing arc

SIDESHIFT BACKHOE (Load Chart for Standard Dipperstick using boom cylinder for lifting)	3,2 m (10'6")	3,8 m (12'6")	4,3 m (14'1")	4,6 m (15'1")	5,0 m (16'5")
---	------------------	------------------	------------------	------------------	------------------

	1117 kg (2463 lbs)	1319 kg (2908 lbs)	1153 kg (2542 lbs)	1058 kg (2332 lbs)	979 kg (2158 lbs)
	1151 kg (2538 lbs)	1335 kg (2943 lbs)	1207 kg (2661 lbs)	1067 kg (2352 lbs)	956 kg (2108 lbs)
	803 kg (1770 lbs)	981 kg (2163 lbs)	819 kg (1806 lbs)	732 kg (1614 lbs)	665 kg (1466 lbs)



Note

- Standard 600 mm (24") bucket fitted, for larger buckets subtract difference in weight from stated lift capacity
- Figures stated are rated capacities, and are the lower of either the rated hydraulic lift capacity, or rated tipping load
- Figures in bold print are stability limited figures

TLB890.990

TECHNICAL DATA STAGE V / TIER 4 FINAL

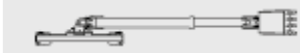
SIDESHIFT BACKHOE

(Load chart for Extending Dipperstick using boom cylinder for lifting)

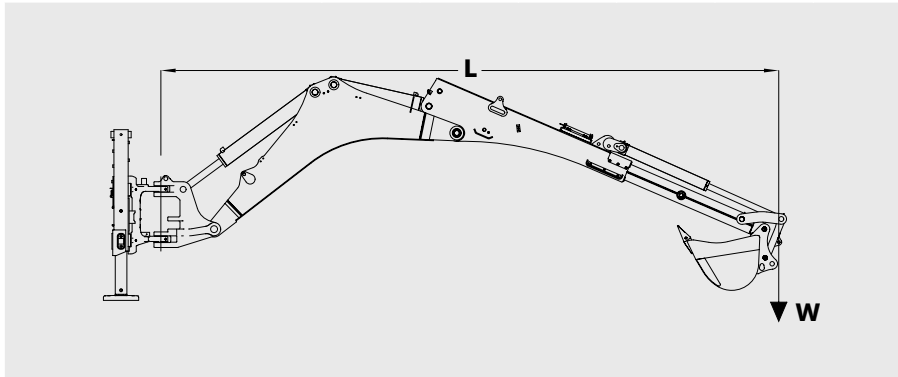
3,2 m (10'6")	4,1 m (13'5")	4,7 m (15'5")	5,2 m (17'1")	5,8 m (19')	6,1 m (20')
1106 kg (2438 lbs)	1033 kg (2277 lbs)	931 kg (2052 lbs)	846 kg (1865 lbs)	743 kg (1638 lbs)	717 kg (1581 lbs)



1038 kg (2288 lbs)	578 kg (1274 lbs)	417 kg (919 lbs)	334 kg (736 lbs)	265 kg (584 lbs)	255 kg (562 lbs)
-----------------------	----------------------	---------------------	---------------------	---------------------	---------------------



442 kg (974 lbs)	213 kg (470 lbs)	127 kg (280 lbs)	83 kg (183 lbs)	50 kg (110 lbs)	48 kg (106 lbs)
---------------------	---------------------	---------------------	--------------------	--------------------	--------------------



Backhoe Configuration (Top to Bottom)

- Centrally located 'over end' lift capacity (within 45° either side of the machine centreline)
- Centrally located lift capacity through the full swing arc
- Fully offset lift capacity through the full swing arc

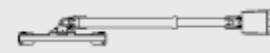
SIDESHIFT BACKHOE

(Load Chart for Standard Dipperstick using boom cylinder for lifting)

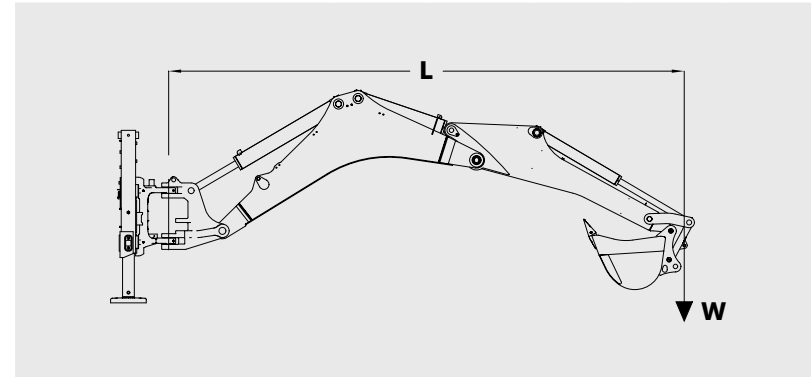
3,2 m (10'6")	3,8 m (12'6")	4,3 m (14'1")	4,6 m (15'1")	5,0 m (16'5")
1368 kg (3016 lbs)	1366 kg (3011 lbs)	1221 kg (2692 lbs)	1126 kg (2482 lbs)	1052 kg (2319 lbs)



1214 kg (2676 lbs)	820 kg (1808 lbs)	658 kg (1451 lbs)	576 kg (1270 lbs)	524 kg (1155 lbs)
-----------------------	----------------------	----------------------	----------------------	----------------------



614 kg (1354 lbs)	414 kg (913 lbs)	327 kg (721 lbs)	284 kg (626 lbs)	262 kg (578 lbs)
----------------------	---------------------	---------------------	---------------------	---------------------



Note

- Standard 600 mm (24") bucket fitted, for larger buckets subtract difference in weight from stated lift capacity
- Figures stated are rated capacities, and are the lower of either the rated hydraulic lift capacity, or rated tipping load
- Figures in bold print are stability limited figures



TLB SERIES

STANDARD / OPTIONAL FEATURES

TLB SERIES

STANDARD / OPTIONAL FEATURES

ENGINE	TLB870	TLB880	TLB890	TLB990
Perkins 904J-E36TA - 55 kW (75 hp) - EU STAGE V / U.S. EPA TIER 4 FINAL	•			
Perkins 904J-E36TA - 75 kW (100 hp) - EU STAGE V / U.S. EPA TIER 4 FINAL		•		
Perkins 904J-E36TA - 82 kW (110 hp) - EU STAGE V / U.S. EPA TIER 4 FINAL			•	•
Wastegate turbo and charge air cooled	•	•	•	•
Electronic fuel injection	•	•	•	•
Alternator and fan drive by polygroove belt with auto tensioner	•	•	•	•
4 Glow plug starting aid	•	•	•	•
Primary fuel filter with water separator	•	•	•	•
Oil to water internal plate oil cooler	•	•	•	•
Dual element Powercore air cleaner	•	•	•	•
Coolant header tank	•	•	•	•
Gear driven water pump	•	•	•	•
Puller type 9 bladed cooling fan	•	•	•	•
Engine gradeability before/after and side/side: 30°	•	•	•	•
Anti-freeze rated to -37°C	•	•	•	•
500 hour service period	•	•	•	•
Auto Idle			•	•
Stainless steel muffler and Exhaust Stack (DOC, SCR with AdBlue injection & DPF Exhaust System)		•	•	•
Stainless steel muffler and Exhaust Stack (DOC & DPF Exhaust System)	•			
Fan guard	o	o	o	o
DRIVE LINE				
SynchroShuttle transmission (4 forward / 4 reverse)	•	•	•	
PowerShift (Servo Power Synchro SPS) transmission (4 forward / 3 reverse)	o	o	o	•
Active Drive lock-up in 3 rd & 4 th gears			o	•
Torque converter stall ratio 3.01:1	•	•	•	
Torque Converter stall ratio 2.38:1 (Standard Active Drive SPS)			o	•
Automatic shifting between 4 th , 3 rd and 2 nd (Standard SPS)	o	o	o	•
Column mounted rotational control lever (Standard SPS)	o	o	o	•
Kick down 2 nd /1 st and Kick up 1 st /2 nd (Standard SPS)	o	o	o	•
4-wheel drive as standard with selectable 2/4 wheel drive	•	•	•	•
Selectable 2 and 4-wheel braking in all gears	•	•	•	•
4-wheel drive, 4-wheel steer, and 4-equal wheel-size				•
Selectable 2-wheel steering / 4-wheel steering / Crab steering				•
Direction control with neutral safety interlock	•	•	•	•
Transmission de-clutch on gear and loader controls	•	•	•	•
Foot operated electro/hydraulic differential lock	•	•	•	•
Removable transmission oil cooler	•	•	•	•
Vertical element oil filter	•	•	•	•
Outboard planetary final drive axles	•	•	•	•
Power Boosted Brakes	•	•	•	•
Brakes self adjusting and self equalising	•	•	•	•
Dual brake pedals with combined or independent use	•	•	•	•
Internal wet disc parking brake (max parking Slope laden 1:2, max parking Slope unladen 1:2.5)	•	•	•	•
Large capacity outboard oil immersed disc brakes (2 Kevlar friction discs 289 mm diameter per side, total friction area per side 1238 cm ²)	•	•	•	
Large capacity inboard oil immersed disc brakes (3 Kevlar friction discs 222 mm diameter per side, total friction area per side 1070 cm ²)				•
Hydrostatic steering with emergency manual operation	•	•	•	•

• Standard o Optional

TLB SERIES

STANDARD / OPTIONAL FEATURES

OPERATOR ENVIRONMENT	TLB870	TLB880	TLB890	TLB990
Enclosed Cab with access from both sides	•	•	•	•
ROPS/FOPS conform to ISO 3471/3449	•	•	•	•
Internal noise level 78 dB(a)	•	•	•	•
Self cleaning footsteps and large grab handles	•	•	•	•
Full road lights	•	•	•	•
4 front and 4 rear LED worklights	•	•	•	•
Folding external rear view mirrors	•	•	•	•
Internal rear view mirror	•	•	•	•
Laminated windscreen	•	•	•	•
Opening rear quarter windows with internal operation	•	•	•	•
Full depth up and over rear window	•	•	•	•
Tinted toughened safety glass	•	•	•	•
Partial door locking	•	•	•	•
Front and rear screen washers and wipers	•	•	•	•
Standard fabric seat with mechanical suspension	•	•	•	•
Premium high back seat, heated with air suspension		o	o	o
Seat Belt 2" (51 mm)	•	•	•	•
Seat Belt 3" (76 mm)	o	o	o	o
Cab heater (7.37 kW)	•	•	•	•
Air conditioning (7.6 kW cooling)	o	o	o	o
Automatic Temperature Control		o	o	o
Steering Wheel Spinner Knob	o	o	o	o
Tilt and Telescopic steering wheel	•	•	•	•
Seat storage for operators manual	•	•	•	•
2 cup holders	•	•	•	•
Coat hook	•	•	•	•
Cell phone holder with power plug	•	•	•	•
Pre installation of wiring for radio	•	•	•	•
Rotary hand throttle	•	•	•	•
Engine hour meter	•	•	•	•
Lockable chilled storage box		•	•	•
1 auxiliary 12 volt outlet	•			
3 auxiliary 12 volt outlets		•	•	•
2 external power sockets for beacon	•	•	•	•
Side console mounted horn switch	•			
Front and rear horn		•	•	•
Speedometer	o	o	o	•
Digital clock		•	•	•
Digital gauges for warning lights, fuel level, engine temperature, rpm and AdBlue level (if any)	•	•	•	•

• Standard

o Optional

LOADER	TLB870	TLB880	TLB890	TLB990
Single bucket cylinder	•	•	•	•
Bucket cylinder cushioning	•	•	•	•
Integral loader arm safety bar	•	•	•	•
Mechanical - Hydraulic Anti-spill	•	•	•	•
Control lever with transmission disconnect button	•	•	•	•
Float position with positive hold	•	•	•	•
Bucket level indicator	•	•	•	•
Bucket teeth or bolt on reversible cutting edge	•	•	•	•
Loader bucket return to dig	o	•	•	•
Multifunctional loader control lever			•	•
Multi-purpose bucket operation by thumb slider control			•	o
Ride control loader suspension	o	o	o	o
Auto Ride control loader suspension			o	o
Auxiliary hydraulic line with standard bucket	o	o	o	o
Loader safety valves	o	o	o	o
Loader operating lever lock	o	o	o	o
Mechanical or Hydraulic quick coupler	o	o	o	

BACKHOE				
Sideshift backhoe	•	•	•	•
Straight Style Boom	•	•		
Curved style boom			•	•
Inner slide extendable dipper	o	o	o	o
Hydraulic powered sideshift	o	o	o	o
Mechanical Excavator Controls plus pattern (SAE/ISO)		•	•	•
Servo Excavator Controls with SAE/ISO switch	•		o	o
X-pattern lever controls (Mechanical controls)		o	o	o
Externally adjustable Stabilizer wear pads	•	•	•	•
Externally adjustable lubrication free wear pads (8)			•	•
Quick release rubber street pads	o	o	o	o
Stabilizer leg Lock Up Bracket	o	o	o	o
Cable operated dual transport lock	•	•		
Electro/hydraulic dual transport lock			•	•
Auxiliary hydraulics with single and double acting operation	o	o	o	o
Stabilizer safety valves	o	o	o	o
Boom and dipper safety valves	o	o	o	o
Object handling kit	o	o	o	o
Hydraulic and Mechanical quick coupler	o	o	o	o

HYDRAULIC				
Open center hydraulics with tandem gear pumps and Inloader valve	•			
Closed center hydraulics with tandem gear pumps and Unloader valve		•		
Closed center hydraulics with variable flow piston pump			•	•

TLB SERIES

STANDARD / OPTIONAL FEATURES

OTHER ITEMS	TLB870	TLB880	TLB890	TLB990
Heavy duty chassis construction	•	•	•	•
Lifting eyes and tie downs (2 front and rear)	•	•	•	•
Lockable side mounted toolbox	•	•	•	•
Additional toolkit	o	o	o	o
Single battery	•	•	•	•
Additional battery		o	o	o
Fully tilting engine hood	•	•	•	•
Mecalac standard color	•	•	•	•
Custom color	o	o	o	o
Front hard nose counterweight	o	o	•	o
Front Fenders	o	o	o	o
Reverse Warning Alarm	o	o	o	o
Hydraulic Pipe Guard	o	o	o	o
Hard Nose Bump stop	o	o	o	o
Spare Wheel Front / Rear	o	o	o	o
Fuel Tank strainer	o	o	o	o
Bio Degradable Oil	o	o	o	o
Beacon - Single / Twin	o	o	o	o
Lightguards	o	o	o	o
Licence Plate - Front / Rear	o	o	o	o
Transport Chain Loader / Backhoe	o	o	o	o
Drive Shaft Guard	o	o	o	o

TIRES

	TLB870	TLB880	TLB890	TLB990
18" / 28"	•	•		
20" / 26"		•	•	
20" / 30"		•	•	
20" / 28"		o	o	
24" / 24"				•

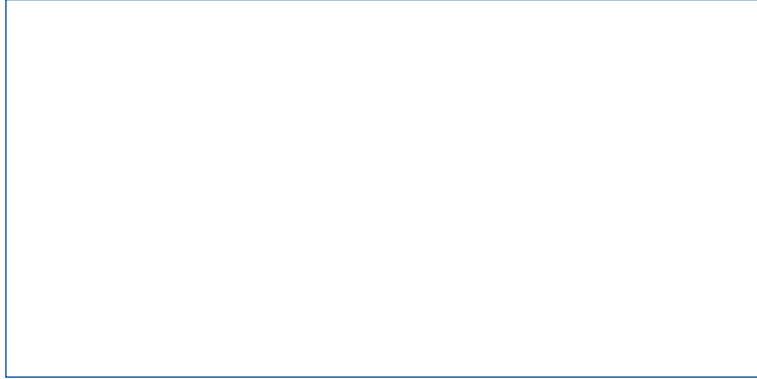
• Standard

o Optional

ATTACHEMENTS

BACKHOE	TLB870	TLB880	TLB890	TLB990
STANDARD BUCKET				
305 mm (12")	o	o	o	o
450 mm (18")	o	o	o	o
600 mm (24")	o	o	o	o
750 mm (30")	o	o	o	o
900 mm (36")	o	o	o	o
HEAVY DUTY BUCKET				
305 mm (12")	o	o	o	o
450 mm (18")	o	o	o	o
600 mm (24")	o	o	o	o
750 mm (30")	o	o	o	o
900 mm (36")	o	o	o	o
DITCH CLEANING BUCKET				
1500 mm (60")	o	o	o	o
1800 mm (70")	o	o	o	o
TRAPEZOIDAL BUCKET	o	o	o	o
BUCKET PIN KIT - 1/2/3/4 EXTRA	o	o	o	o

LOADER	TLB870	TLB880	TLB890	TLB990
LOADER BUCKET				
Standard bucket 1 m ³ with lifting eye	o	o	o	o
Standard bucket 1.2 m ³ with lifting eye		o	o	o
Multi-purpose bucket 1 m ³ with lifting eye	o	o	o	o
Multi-purpose bucket 1.2 m ³ with lifting eye		o	o	o
Pallet forks on loader bucket (capacity 1000 kg)	o	o	o	o
LOADER ATTACHEMENTS				
Bucket Spill Guard	o	o	o	o
Bucket Pin Kit – 1 extra set	o	o	o	o
Loader Bucket Blade–Bolt on	o	o	o	o
Bucket tooth guard	o	o	o	o
Loader bucket pin kit	o	o	o	o



MECALAC FRANCE S.A.S.
2, avenue du Pré de Challes
Parc des Glaisins – CS 40230
Annecy-le-Vieux
FR - 74942 Annecy Cedex
Tel. +33 (0)4 50 64 01 63

**MECALAC BAUMASCHINEN
GMBH**
Am Friedrichsbrunnen
D-24782 Búdelsdorf
Tel. +49 (0)43 31/3 51-319

**MECALAC CONSTRUCTION
EQUIPMENT UK LTD**
Unit 1, Mallory Way
Gallagher Business Park
Coventry, CV6 6PB, UK
Tel. +44 (0)24 7633 9400

**MECALAC İŞ MAKİNELERİ
SAN. VE TİC. LTD. ŞTİ.**
Ege Serbest Bölgesi
Zafer SB Mahallesi Gündüz Sokak No:17/1
35410, Gazimür - İzmir - TÜRKİYE
Tel. +90 232 220 11 15



WWW.MECALAC.COM